

## SO4

The SO4 is a weatherproof motor driven siren designed for vertical mounting and designed for outdoor warning over areas.

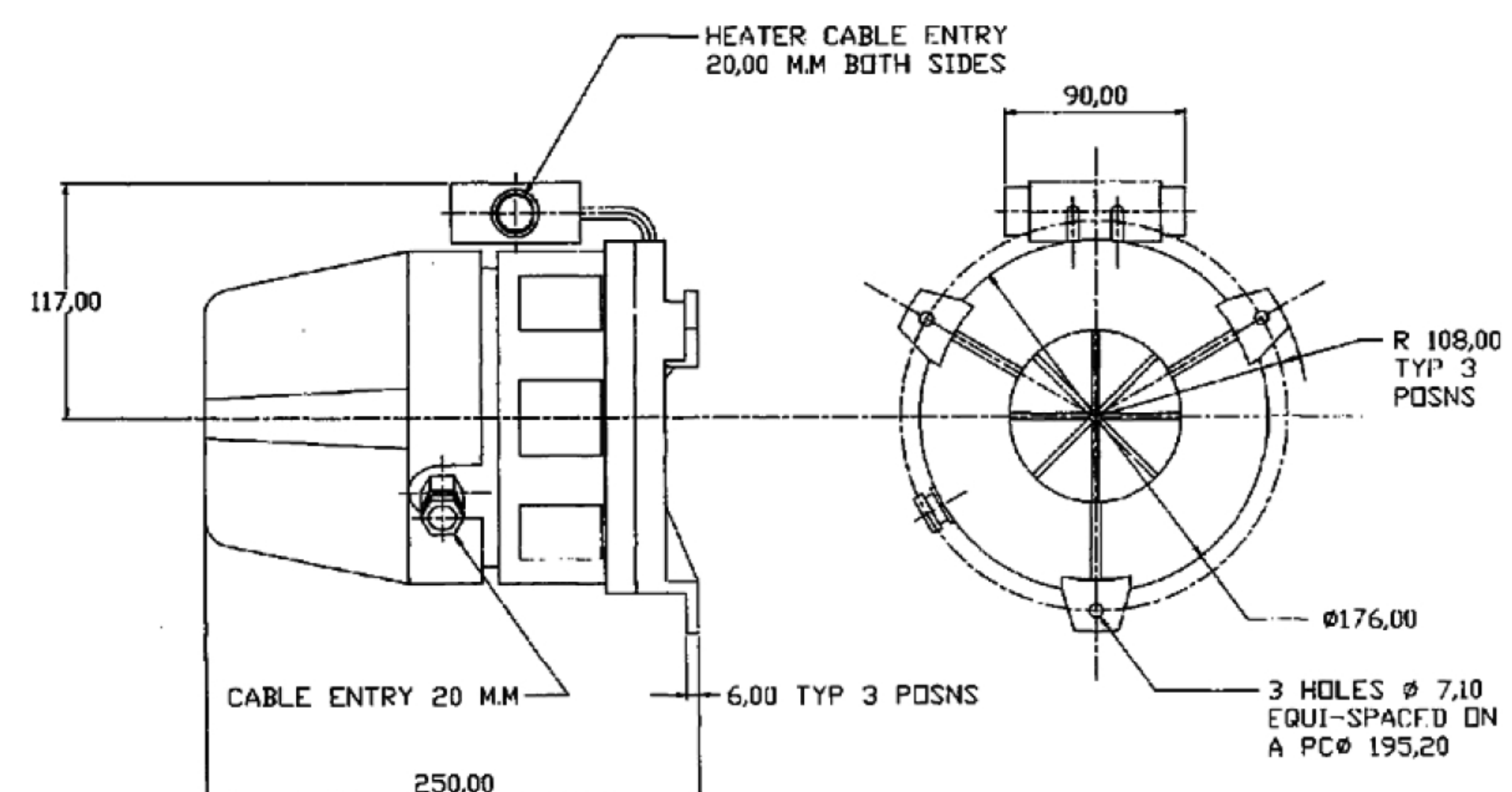
Manufactured from cast aluminium, it is rugged in construction, has a continuous rating and is built for a long life outdoors.

### Features

- High sound output (up to 125dB)
- Powerful low frequency sound
- Weatherproof to IP55
- Vertical siren for easy mounting
- Low voltage DC and high voltage AC variants



**Applications** - Fire alarm; security alarm; general safety warning; conveyors; process control alarm; vehicle alarm



### Specifications

Part No.	Colours	Audibility (tone) at 1m (typical)	Tones (Up to)	Voltage (50/60Hz)	Current (tone dependent)
SLC-0003	Grey	Up to 116 dB (A)	1	24V DC	8A
SLC-0001	Grey	Up to 125 dB (A)	1	110V AC/DC	3A(AC)/2.7A(DC)
SLC-0002	Grey	Up to 125 dB (A)	1	230V AC/DC	1.4A(AC)/1.2A(DC)

**IP Rating:** IP55 **Rating:** Continuous **Frequency:** 900Hz **Operating Temp:** -30°C to +45°C  
**Construction:** Cast Aluminium Body **Cable Entries:** 1 **Weight:** 4.5kg