



SelecTone® Hazardous Location Audible Signaling Device

Model 302GCX

DESIGNED FOR USE IN HAZARDOUS LOCATIONS

- Available in 24VAC/DC, 120VAC and 240VAC
- Reliable, solid-state circuitry
- Digital signal amplification
- Built-in gain control
- Fused input and output
- Produces 0dBa to 114dBa @ 10' (0dBa to 124dBa @ 1m)
- Type 4X enclosure
- External mounting tabs
- Indoor/outdoor use
- UL 1480 and CSFM Approved
- UL and cUL Listed

Federal Signal's Model 302GCX SelecTone® Speaker Amplifier is designed to produce tones, digital voice messages and live public address in harsh environments with high ambient noise levels.

The rugged speaker cone and projector are constructed of spun aluminum. The amplification circuitry, tone module, and gain control are contained in a housing constructed of die-cast aluminum. All surfaces are sealed with powder-coat paint. Dust- and moisture-proof gaskets provide protection from the elements.

The 302GCX is UL Listed for Class I, Division 2, Groups A, B, C and D; Class II, Division 2, Groups F & G, and Class III. It has been tested and approved for use in Type 4X applications.

Internal gain control allows output adjustment from 0dBa to a maximum of 114dBa at 10 feet.

SelecTone Speaker Amplifiers are used individually or as part of a plant-wide emergency notification system. The Model UTM Universal Tone Module, with 32 tones, or the TM33 Custom Tone Module is plugged into a single SelecTone Speaker Amplifier for stand-alone use or into a SelecTone Command Unit for plant-wide signaling.

For plant-wide signaling, a Connector Kit is installed into each SelecTone Speaker Amplifier and wired to a central controller, SelecTone Command Unit or CommCenter® Digital Message Center. Command Units and CommCenters broadcast tones, voice messages, melodies and live public address to an unlimited number of SelecTone Speaker Amplifiers.

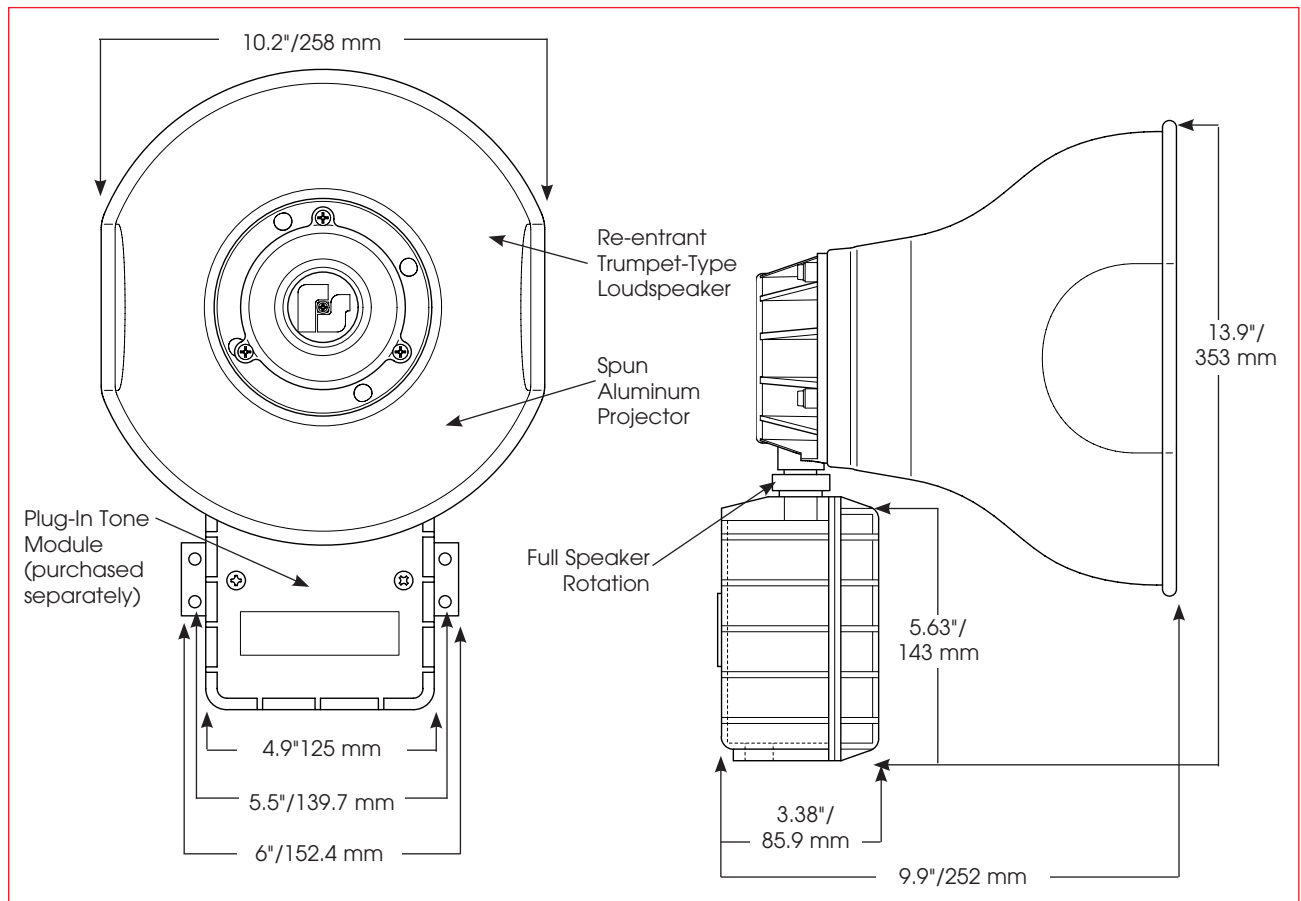
Applications for SelecTone include emergency warning, evacuation, start/dismissal, public address, and process control signaling.

Model	Voltage	Operating Current	Standby Current	Decibels @		T-Code ¹
				10'	1m	
302GCX-024	24VDC	1 amps	50mA	114	124	T6
302GCX-024	24VAC 50/60Hz	1.40 amps	100mA	114	124	T6
302GCX-120	120VAC 50/60Hz	0.30 amps	50mA	114	124	T6
302GCX-240	240VAC 50/60Hz	0.15 amps	35mA	114	124	T6

¹ T-Code in Class 1 Division 2 A,B,C,D



HAZARDOUS LOCATION AUDIBLE SIGNALING DEVICE (302GCX)



SPECIFICATIONS

Operating Temperature:	-67°F to 150°F	-55°C to 66°C
Net Weight:		
24VDC	6.5 lbs.	3.0 kg
120/240VAC	7.9 lbs.	3.6 kg
Shipping Weight:		
24VDC	7.9 lbs.	3.6 kg
120/240VAC	9.3 lbs.	4.2 kg
Height:	13.9"	353.0 mm
Width:	10.2"	258.0 mm
Depth:	9.9"	252.0 mm

HOW TO ORDER

- Specify model number and voltage
- Specify Tone Module for stand alone operation
 Universal Tone Module (UTM)
 Custom Tone Module (TM33)
- Specify Connector Kit for use in systems (Call factory for system design assistance)
 25 Vrms Connector Kit (AM25CK)
 70 Vrms Connector Kit (AM70CK)
- Please refer to Model Number Index 302GCX beginning on page 375

REPLACEMENT PARTS

<i>Description</i>	<i>Part Number</i>
Amplifier Assembly, 24VAC/DC	K2005502A-02
Amplifier Assembly, 120/240VAC	K2005502A-02
Voice Coil	K8590246A
Speaker Assembly	K8593103A
Transformer, 120VAC	K120846A
Transformer, 240VAC	K120856A