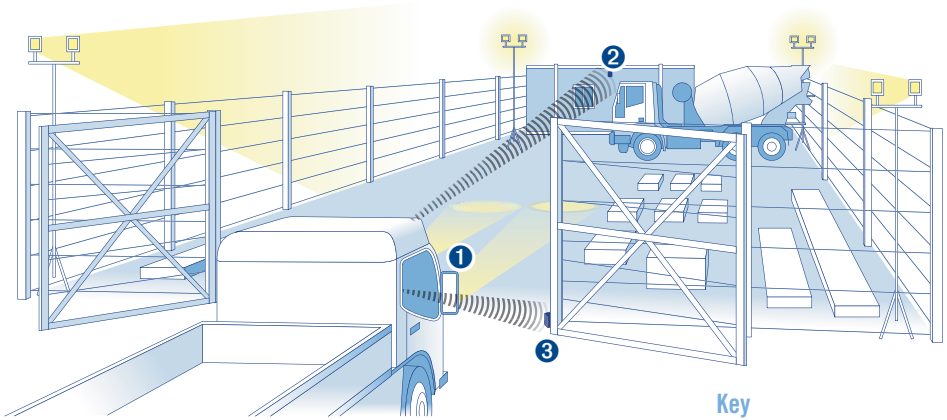


Speed up Operations and Aid Security

Wirelessly Operate Lights and/or Electric Gates

“Matching security coded key fobs can be supplied for your entire fleet”



Key

..... Transmitter Signal

With their impressive 100m range and long battery life EasySwitch **Key Fobs 1** offer the perfect solution for long distance, reliable wireless automation. In conjunction with the ESR.4 **Receiver 2** up to four circuits can be switched from a single transmitter to operate gates **3**, lights or roller shutters for example.

Products used in above scenario

Wireless Switch Transmitter



- compatible with all receivers
- single or four circuit version
- may be used individually or in conjunction with EST.1 transmitters and ESD detectors/transmitters
- up to 100 metre range.

Four Circuit Switching Receiver



- IP66 weatherproof rating
- 220–240V supply
- 4 independent 16 amp relays
- control up to 4 circuits
- can be used with 1–16 transmitters.

Single Circuit Switching Receiver



- IP66 weatherproof rating
- 240V and 12V versions
- suitable for loads up to 1KW
- can be used with 1–16 transmitters.

Wireless Transmitters

Wireless Switching Transmitter



EST.1

- does not require any cabling
- uses 3 x AAA alkaline batteries
- switch up to four circuits
- fits into standard back box or 35mm flush mounted box
- for use with 1–4 gang switches
- up to 100 metre range.

Wireless Key Fob Transmitter



ESF.1
ESF.4

- compatible with all receivers
- single or four circuit version
- may be used individually or in conjunction with EST.1 transmitters and ESD detectors/transmitters
- up to 100 metre range.

PIR Detector/Transmitter



ESD.1
ESD.2
ESD.3

- battery operated
- 2 year battery life
- IP65 weatherproof rating
- up to 100m transmitter range
- adjustable timer (5 sec to 30 min)
- 3 detection patterns available*.

* Please see website for detection patterns

Internal/ External Receivers

Mains Operated Plug-in Bleeper



ESB.1

- 5 second audible beep
- works with PIR detector or key fob
- day, night or day and night modes.

Plug-in Remote Control Socket



ESA.1

- instant wireless remote switch
- compatible with all transmitters
- ideal for operating table lamps and other plug-in appliances.

Mix and match products to create your perfect system. Please visit www.luminite.co.uk for further information

On/Off Receiver



ESR.1
ESR.2

- IP66 weatherproof rating
- 240V and 12V versions
- suitable for loads up to 1KW
- can be used with 1–16 transmitters.

Four Channel Receiver



ESR.4
ESR4x4*

- IP66 weatherproof rating
- 220–240V supply
- 4 independent 16 amp relays
- control up to 4 circuits
- can be used with 1–16 transmitters.

* Includes ESF.4 four button key fob



Designed and Manufactured in the UK



Luminite Electronics Ltd, 2a Bellevue Road, Friern Barnet, London N11 3ER
t: +44 (0) 20 8368 7887 f: +44 (0) 20 8368 3952 e: info@luminite.co.uk