

### Features

#### Manual fire alarm station for hazardous locations

##### Location categories:

- Class I, Divisions 1 & 2, Groups C & D
- Class II, Divisions 1 & 2, Groups E, F, & G
- Class III, Divisions 1 & 2

##### Mechanical features:

- Copper-free, cast aluminum alloy enclosure finished in red textured powder epoxy paint
- Double action operation, lift cover and pull down ring
- Internal ground screw

##### Electrical ratings:

- 1 normally open and 1 normally closed contact
- Rated 120 VAC, 6 A (see specifications for details)
- Conduit openings are 3/4" NPT feed through



2099-9136 Manual Station for Hazardous Locations  
(Killark XAL-53)

### Description

Areas are considered hazardous due to the presence of flammable gases, flammable vapors, combustible dust, or easily ignitable fibers or flyings. Such areas exist at petroleum refineries, chemical and petrochemical plants, spray painting booths, storage areas, and many other locations where potentially hazardous conditions occur.

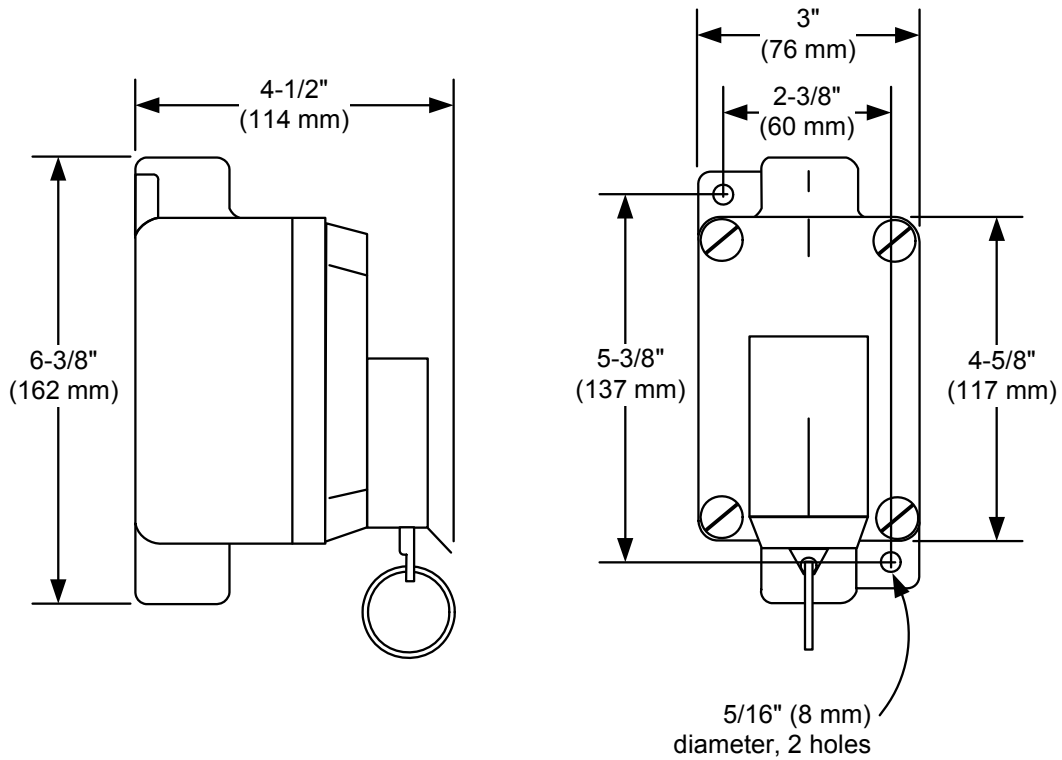
Manual fire alarm stations for these hazardous areas are designed to ensure that initiation of the alarm will be safe and compatible with the hazardous substance. Manual station model 2099-9136 is constructed with a cast, copper-free aluminum enclosure, and is tested, listed, and certified for applications in most types of hazardous environments.

\* Agency listings are by Killark.  
Website: <http://www.killark.com/>

### Specifications

Contact Ratings	
Type	1 N.O., 1 N.C.
125 VDC Ratings	1.1 A, make/break
	2.5 A continuous carry
120 VAC Ratings	60 A make, 7200 VA
	6 A break, 720 VA
	10 A continuous carry
Mechanical Specifications	
Wire Connections	Screw terminals for in/out wiring, 18 to 12 AWG wire (0.82 to 3.31 mm <sup>2</sup> )
Dimensions (see diagram on page 2)	6 3/8" H x 3" W x 4 1/2" D (162 mm x 76 mm x 114 mm)
Housing Material	Copper-free, cast aluminum alloy
Finish	Red textured powder epoxy paint

## Dimension Reference



TYCO, SIMPLEX, and the product names listed in this material are marks and/or registered marks. Unauthorized use is strictly prohibited.



Tyco Fire Protection Products • Westminster, MA • 01441-0001 • USA

S2099-0008-1 1/2013

[www.simplexgrinnell.com](http://www.simplexgrinnell.com)

© 2013 Tyco Fire Protection Products. All rights reserved. All specifications and other information shown were current as of document revision date and are subject to change without notice.