



► Model FB2LEDX Series

Fireball® Hazardous Location LED Warning Lights

FB2LEDX Series is a multi-pattern hazardous location LED available in five colors and capable of three user-selectable flash patterns: 60 FPM (default), 120 FPM, or steady. This Series features Federal Signal's patented Power Select™ technology which allows a user to change between flash patterns without having to open the unit, by following a sequence when power is applied.

FB2LEDX Series is available in 12-24VDC or 120-240VAC and two certifications: UL and cUL Division and Zone Listed (-CN). The zinc die-cast alloy base features an integrated 1/2-inch NPT pipe mount and three holes required for surface mount configurations.

FB2LEDX models come with a stainless steel wire guard for added protection. FB2LEDX Series is designed to protect against corrosion, vibration, water- and dust-ingress, and high pressure and temperature spray-downs. The unit is ideal in harsh and hazardous applications including industrial warning, process control, status indication, food processing, and oil and gas environments.

FEATURES

- Available in 12-24VDC or 120-240VAC
- Stainless steel wire guard included
- 50,000 hour LED
- Patented Power Select™ technology
- Three flash pattern options: 60 FPM (default), 120 FPM, or steady
- Integrated 1/2-inch NPT pipe and surface mount
- Indoor/outdoor use
- Conformal coated PCBA
- Type 4X, IP66 enclosure
- IP69K compliant
- UL and cUL Listed for Class I, Division 2, Groups A, B, C and D; Class II, Division 2, Groups F and G; Class III
- UL and cUL Listed for Class I, Zone 2, AEx nA IIC Gc; Class II, Zone 22 AEx tc IIIC Dc (-CN Models)

MODEL	VOLTAGE	OPERATING CURRENT	LIGHT OUTPUT	MOUNT
FB2LEDX¹-012-024 *	12-24VDC	0.48-0.24 amps	300 cd	1/2" NPT Pipe/Surface
FB2LEDX¹-120-240 *	120-240VAC 50/60Hz	0.03 amps	300 cd	1/2" NPT Pipe/Surface

* Indicates color: (A) Amber, (B) Blue, (C) Clear, (G) Green, or (R) Red
¹-CN

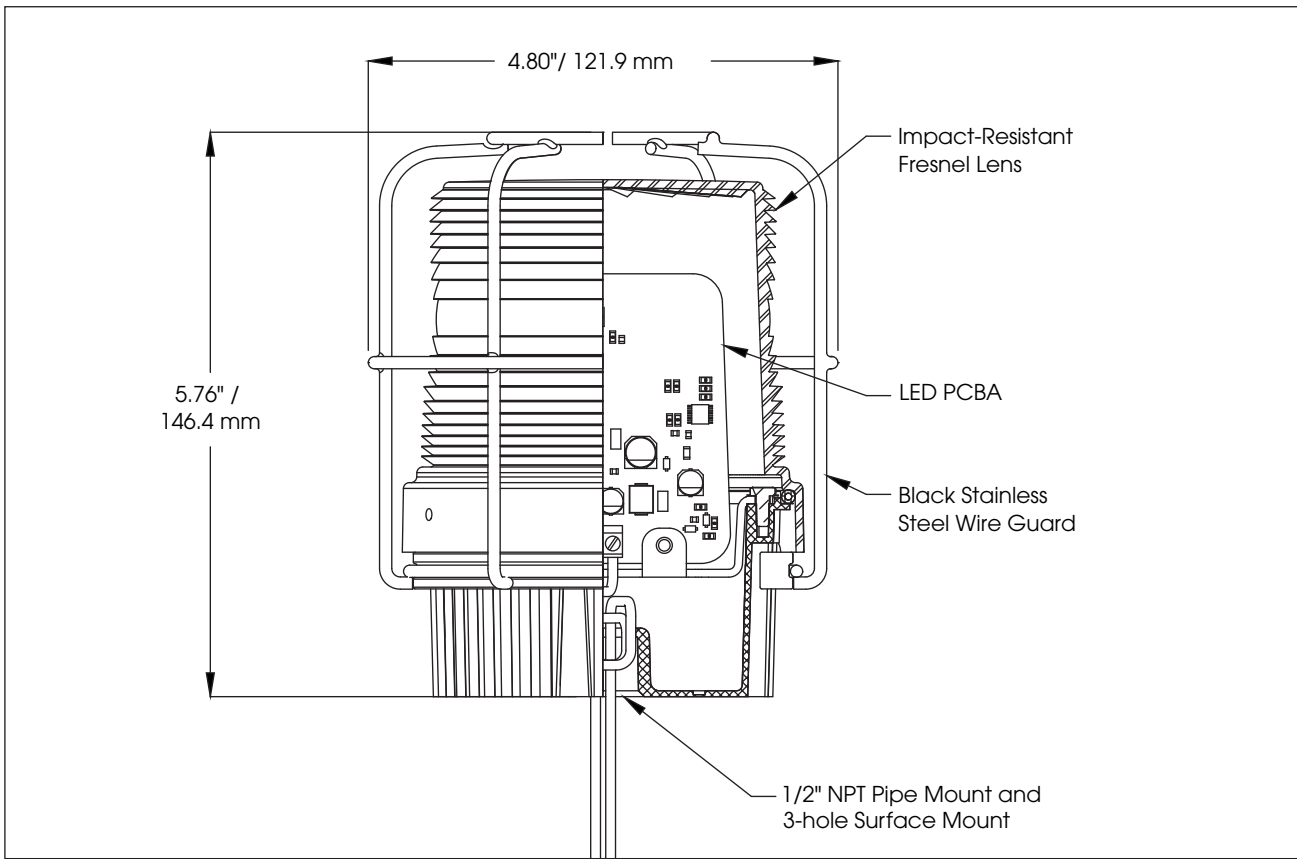
HAZARDOUS LOCATION RATING: FB2LEDX

T-CODE AT MAXIMUM AMBIENT TEMPERATURE, °C	
Hazardous Location	66°C
Class I, Division 2, Groups A, B, C, D	T5
Class II, Division 2, Groups F, G	T6
Class III	T6

HAZARDOUS LOCATION RATING: FB2LEDX-CN

T-CODE AT MAXIMUM AMBIENT TEMPERATURE, °C	
Hazardous Location	66°C
Class I, Zone 2	T5
Class II, Zone 22	T85

Fireball® Hazardous Location LED Warning Lights (FB2LEDX Series)



SPECIFICATIONS

Lamp Life:	50,000 Hours	
Light Source:	LED	
Electrical Operating Temperature:	-49°F to 150°F	-45°C to 66°C
Certified Operating Temperature:	-40°F to 150°F	-40°C to 66°C
Net Weight:	1.75 lbs	0.79 kg
Shipping Weight:	2.05 lbs	0.93 kg
Height:	5.76"	146.4 mm
Diameter:	4.80"	121.8 mm

REPLACEMENT PARTS

Description	Part Number
PCBA, 12-24VDC, for Amber, Green, or Red units	K20000401A
PCBA, 12-24VDC, for Blue or Clear units	K20000401A-01
PCBA, 120-240VAC, for Amber, Green, or Red units	K20000426A
PCBA, 120-240VAC, for Blue or Clear units	K20000426A-01
Wire Guard Assembly	FB2G

HOW TO ORDER

FB2LEDX	120-240	A
TYPE FB2LEDX Division Listed FB2LEDX-CN Zone Listed	VOLTAGE 012-024 (12-24VDC) 120-240 (120-240VAC)	COLOR A Amber B Blue C Clear G Green R Red

OPTIONAL ACCESSORIES

Description	Part Number
Wall Mount Kit, Hazardous Location	LHWB
Mounting Bracket shown on pages 138-139	