



**i TECHNICAL SPECIFICATIONS/ORDER SPECIFICATIONS:**

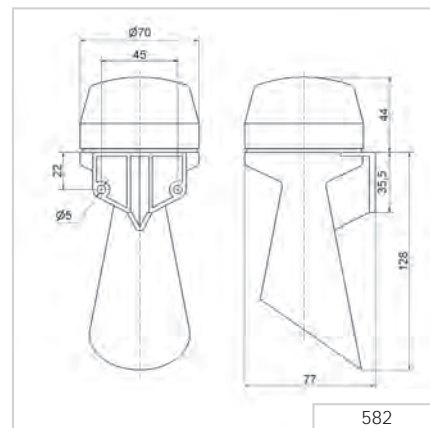
<b>Dimensions (L x H x W):</b>	70 mm x 172 mm x 77 mm				
<b>Housing:</b>	PC/ABS-Blend				
<b>Connection:</b>	Screw terminal with wire protection, 1,0-1.5 mm <sup>2</sup> fine strand, 1,0-2.5 mm <sup>2</sup> single wire				
<b>Cable entry:</b>	Cable diameter 9 mm				
<b>Fixing:</b>	Wall mounting, Sound outlet facing downwards				

<b>AC Version</b>					
<b>Voltage:</b>	12 V AC	24 V AC	42 V AC	115 V AC	230 V AC
<b>Current consumption:</b>	330 mA	190 mA	75 mA	15 mA	15 mA
<b>Order No.:</b>	<b>582 052 64</b>	<b>582 052 65</b>	<b>582 052 66</b>	<b>582 052 67</b>	<b>582 052 68</b>

<b>DC Version</b>					
<b>Voltage:</b>	12 V DC	24 V DC			
<b>Current consumption:</b>	150 mA	70 mA			
<b>Order No.:</b>	<b>582 052 54</b>	<b>582 052 55</b>			

Further voltages on request.

**TECHNICAL DIAGRAM:**



Signalisation index	
Horn	4

