



Base/Bracket mounting



Accessories

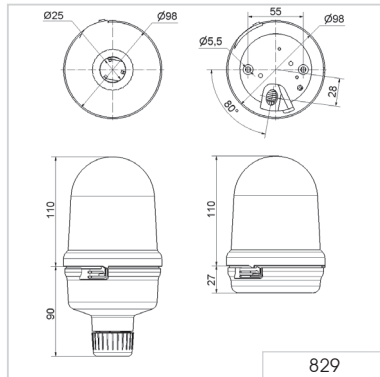
i TECHNICAL SPECIFICATIONS/ORDER SPECIFICATIONS:

	Base/Bracket mounting		Tube mounting	
Dimensions (Ø x Height):	98 mm x 137 mm		98 mm x 200 mm	
Cable entry:	Cable diameter 5-7 mm			
Housing:	PC/ABS-Blend			
Lens:	PC, transparent			
Connection:	Screw terminal 0.5 - 1.5 mm ²			
Rotation rate:	C. 180 r.p.m.			
Life duration:	Up to 50,000 hrs			
Voltage:	24 V DC	115-230 V AC	24 V DC	115-230 V AC
Current consumption:	< 170 mA	< 200 mA	< 170 mA	< 200 mA
red	829 110 55	829 110 68	829 117 55	829 117 68
green	829 210 55	829 210 68	829 217 55	829 217 68
yellow	829 310 55	829 310 68	829 317 55	829 317 68
clear	829 410 55	829 410 68	829 417 55	829 417 68
blue	829 510 55	829 510 68	829 517 55	829 517 68

ACCESSORIES:

Plastic bracket for wall mounting	975 826 05
Wire guard, galvanised, only for base mounting	975 826 03
Tube Ø 25 mm, all anodized aluminium, 100 mm long	975 845 10
Base for tube, plastic, Ø 25 mm	975 840 90
Base for tube, metal, Ø 25 mm	975 840 91

TECHNICAL DIAGRAM:



Signalisation index

LED Rotating Light 6

