



Ex d Surface Mount

Ex d Trunnion Mount

Ex de Surface Mount



► Model G-STR

Global Series Signaling Platform – 21J Strobe

The Federal Signal patent pending G-Series Strobes feature a high-intensity xenon strobe tube operated at 21J. The housing is made from non-metallic materials designed to serve the demanding needs of offshore marine and land-based industrial applications, and can dramatically reduce the cost of long-term maintenance.

The flameproof “Ex d” versions come standard with two (2) M20 entries. The increased safety “Ex de” versions include a separate terminal chamber for quick field termination or pass-through wiring, and include three (3) M20 entries in a standard configuration.

The G-Series Strobe can be combined with all other G-Series audible and visual products in several custom configurations. Custom configurations can be ordered directly from the factory. Optional coupling kits, which allow limited field fixturing, are available.

FEATURES

- Available in 24VDC, 120VAC and 220-240VAC 50/60Hz
- Optional 316 stainless steel ratchet adjustable mounting U-bracket (Field installation required)
- Non-metallic corrosion-resistant design
- 24VDC models contain a supervisory diode and four wire terminal block
- For use in alarm control panel applications
- Dome guard included
- M20 entries standard
- IP66 enclosure
- Zone 1, 21 Rated, IECEx, ATEX, Ex d IIC, Ex de IIC and Ex tb IIIC
- UL and cUL Listed for Class I, Division 2, Groups A, B, C and D; Class II, Division 2, Groups F and G; and Class III
- UL and cUL Listed for Class 1, Zone 1 AEx db IIC T3: Zone 21, AEx tb IIIC T200°C, excludes increase safety versions (Ex de)
- UL Fire Listed (24VDC operating voltage, Clear models only)
- Optional indicator rings are available in six colors: Black, Blue, Green, Magenta, Red and Yellow
- Field customizable legend plates available¹

MODEL	OPERATING VOLTAGE	NOMINAL OPERATING CURRENT	FLASH “ENERGY” (JOULE)	LAMP LIFE HOURS	ECP ²
G-STR	24VDC	1.5 amps	21	10,000	500
	120VAC 50/60Hz	0.45 amps	21	10,000	500
	220-240VAC 50/60Hz	0.34 amps	21	10,000	500

UL/cUL HAZARDOUS LOCATION RATING

TEMPERATURE CODE AT 70°C

Class I, Division 2, Groups A, B, C, D	T1
Class II, Division 2, Groups F, G	T4A
Class III	T4A

ATEX/IECEx HAZARDOUS LOCATION RATING

TEMPERATURE CODE AT 70°C

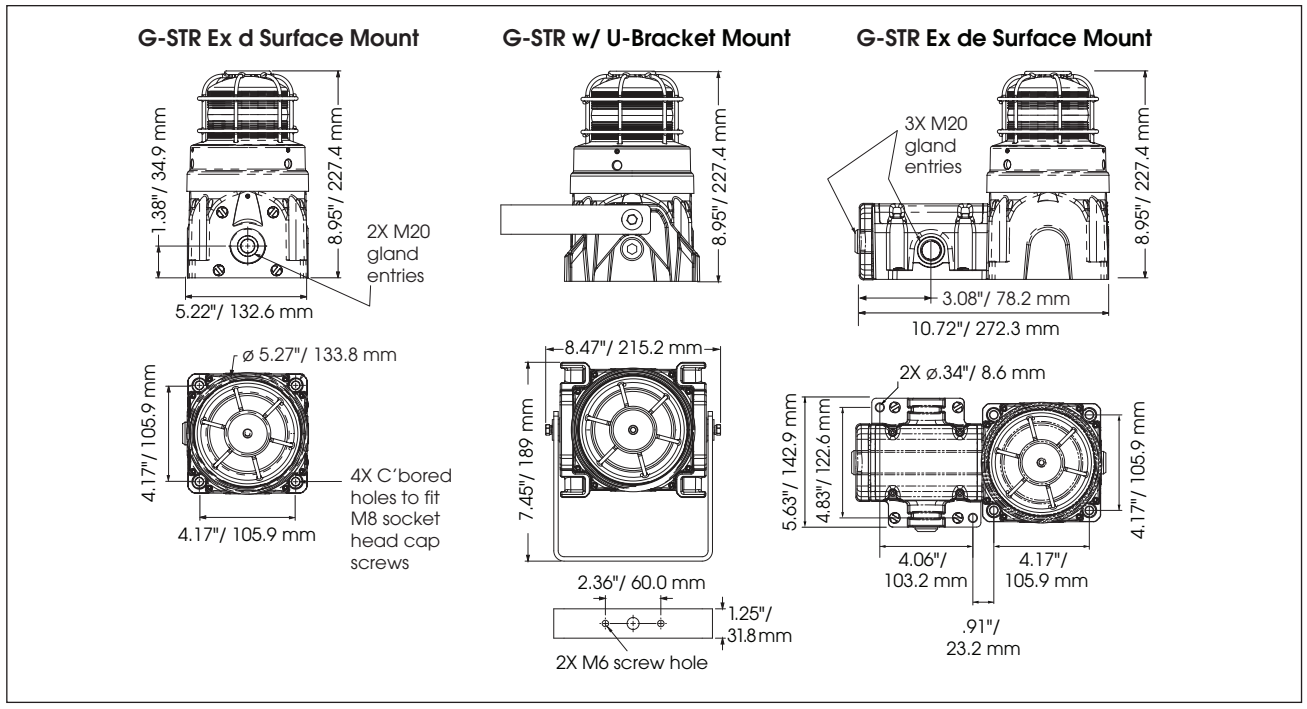
T3

¹ Recommended labels: BRADY #B-855 Toughwash labels or ULINE #S-16643 weather resistant

² ECP (Effective Candlepower) is the intensity that would appear to an observer if the light were burning steadily; measured with clear lens.



Global Series Signaling Platform – Strobe (G-STR)



SPECIFICATIONS

Lamp Life:	10,000 Hour
Light Source:	Xenon Strobe
Operating Temperature Range:	-67°F to 158°F -55°C to 70°C
ATEX/IECEx Certification Marking:	
II 2GD Ex d IIC Gb, Ex tb IIIC Db IP66.	T3 @ 70°C
II 2GD Ex de IIC Gb, Ex tb IIIC Db IP66.	T3 @ 70°C
	ATEX: Baseefa15ATEX0154X
	IECEx: IECEx BAS 15.0103X
Guard and External Fasteners:	316 stainless steel
Terminals:	Ex d: 6 way block (3 in, 3 out)
	Ex de: 3-pole, 4 position quad pole terminal blocks
Cable Entries:	Ex d: 2 entries - M20 x 1.5
	Ex de: 3 entries - M20 x 1.5
UL and cUL Certification Marking:	
Class I, Division 2, Groups A, B, C, D	T1 @ 70°C
Class II, Division 2, Groups F, G	T4A @ 70°C
Class III	T4A @ 70°C
Net Product Weight	
Ex d Surface Mount:	7.17 lbs 3.25 kg
Ex d U-Bracket Mount:	9.15 lbs 4.15 kg
Ex de Surface Mount:	9.99 lbs 4.53 kg

REPLACEMENT PARTS

Description	Part Number
Strobe Internal Sub-assembly kit (Includes PCBAs, bracket and mounting screw)	
Strobe PCBA 024VDC	K859501402-024
Strobe PCBA 120VAC	K859501402-120
Strobe PCBA 230VDC	K859501402-230
Lens Ass'y, Strobe, Amber	K859500814
Lens Ass'y, Strobe, Blue	K859500814-01
Lens Ass'y, Strobe, Clear	K859500814-02
Lens Ass'y, Strobe, Green	K859500814-03
Lens Ass'y, Strobe, Red	K859500814-04
Lens Ass'y, Strobe, Magenta	K859500814-05
Lens Ass'y, Strobe, Yellow	K859500814-06
e-Box Endcap with M20 Opening	K859500805-02
e-Box Endcap with M25 Opening	K859500805-01
e-Box Cover Assembly (Includes two terminal blocks, mounting plate and retention hardware)	K859501414

HOW TO ORDER

G	STR	024	T	A	
MODEL	TYPE STR Strobe	VOLTAGE 024 (24VDC) 120 (120VAC) 230 (220-240VAC)	CONFIGURATION D Ex d Surface Mount T Ex d U-Bracket Mount* E Ex de Surface Mount		COLOR A Amber B Blue C Clear G Green M Magenta R Red Y Yellow

*Field Installation Required
Reference Global Series accessory product page for list of available accessories.