



► Model VALS

Visalert® Strobe Light

Federal Signal's Visalert® is a three dimensional, triangular warning light designed to be mated with Federal Signal's Model 350 Vibratone® horn and Model 50GC SelectTone® amplified speaker. The Visalert can also be used as a stand alone device. Knockouts on the 50GC and 350 audible devices (sold separately) ensure easy installation. The units can be either independently or simultaneously wired with the audible device. The Visalert uses a linear strobe tube and all the circuitry is contained within the lens.

Visalert units are recommended for use in industrial applications and situations where effective visual warning is needed. Federal Signal's Visalert strobe light is a low-maintenance strobe light in a compact size that is perfect for control panel applications.

FEATURES

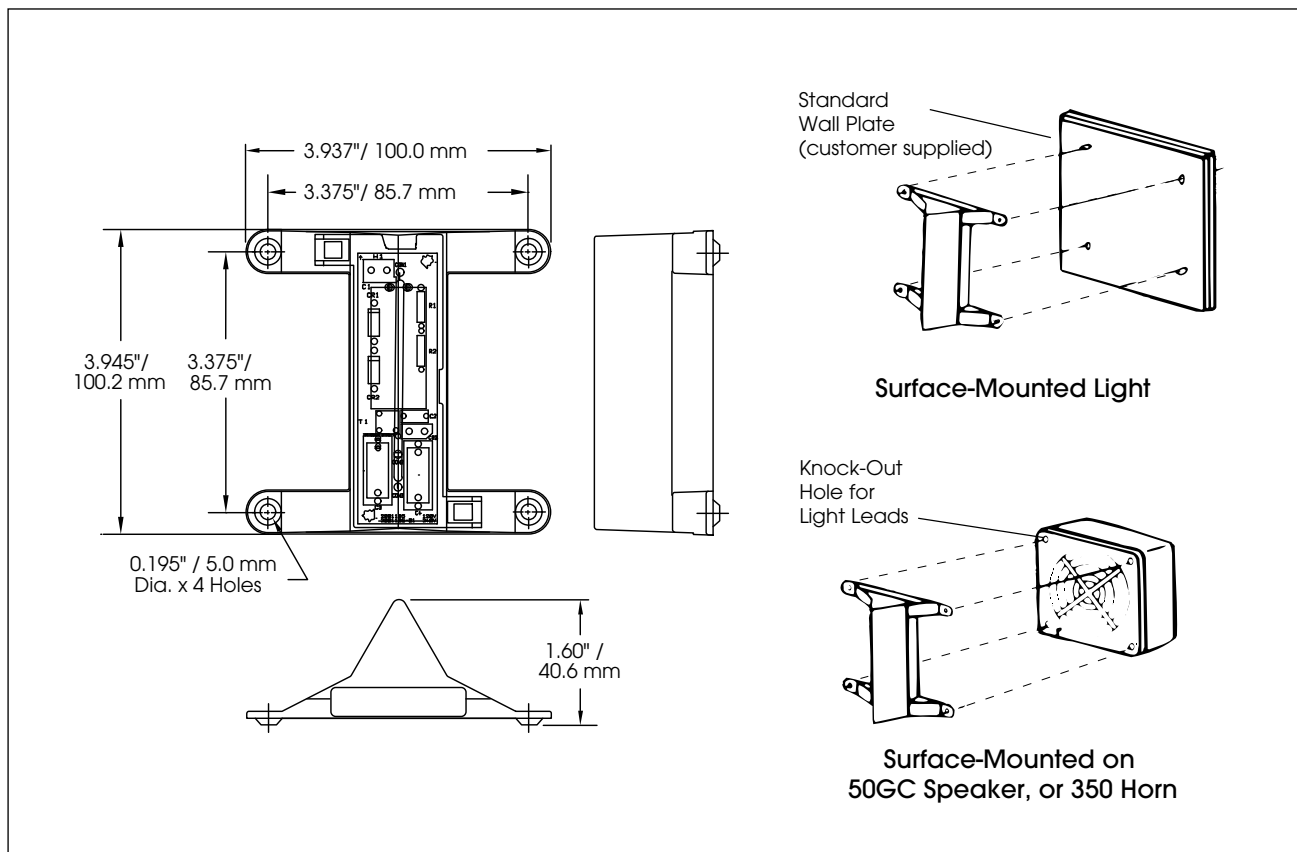
- Available in 24VDC, 120VAC and 240VAC
- Five lens colors: Amber, Blue, Clear, Green and Red
- 4,000 hour strobe tube
- Easy surface mount installation onto Federal Signal's 350 Vibratone® horn and Model 50GC SelectTone® amplified speaker (sold separately)
- Indoor/outdoor use
- Conformal coated PCB
- Type 3R enclosure
- CSA Certified
- UL Listed

MODEL	VOLTAGE	OPERATING CURRENT	FLASH RATE / MINUTE	LIGHT OUTPUT PEAK ¹	MOUNT
VALS-024 *	24VDC	0.08 amps	80	108,000 cd	Surface
VALS-120 *	120VAC 50/60HZ	0.06 amps	80	108,000 cd	Surface
VALS-240 *	240VAC 50/60HZ	0.03 amps	80	108,000 cd	Surface

* Indicates color: (A) Amber, (B) Blue, (C) Clear, (G) Green or (R) Red

¹ Peak candela is the maximum light intensity generated by a flashing light during its light pulse

Visalert® Strobe Light (VALS)



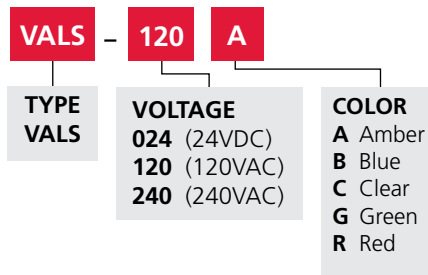
SPECIFICATIONS

Lamp Life:		4,000 Hours
Light Source:		Strobe tube
Operating Temperature:	-31°F to 150°F	-35°C to 66°C
Net Weight:	0.10 lbs	0.045 kg
Shipping Weight:	0.25 lbs	0.113 kg
Height:	3.945"	100.2 mm
Width:	3.937"	100.0 mm
Depth:	1.60"	40.6 mm

REPLACEMENT PARTS

Description	Part Number
Strobe Tube	K149128A

HOW TO ORDER



RELATED PRODUCTS

Description	Model Number
SelecTone® Amplified Speaker	50GC
Vibratone® Horns	350