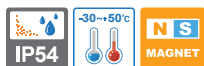


S125 series

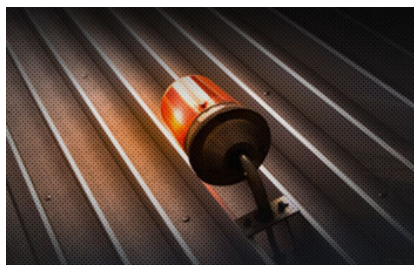
Ø125mm Xenon Strobe Signal Lights



S125S



S125SM



Excellent visibility in fog and dust environments.

Customization

- AC type(S125SM)
- Wall mount bracket options (S125S) : Bracket structure allows for threading through the bracket hole or into the wall mount



Wall Mount Bracket
SWP125



Wall Mount Bracket
SWM125

Common Specifications(S125S/ S125SM)

- Ø125mm xenon strobe signal lights
- High efficiency strobe light that offers excellent outdoor visibility and long-distance signal light luminance close to natural light
- Lamp connector for convenient lamp replacement
- Flashing rate : 60-80 flashes/min
- Materials : Lens-AS, Housing-ABS
- Ambient operating temperature : -30°C to +50°C
- Protection rating : IP54

S125S Xenon Strobe Signal Light

- Certificates : CE Compliant

Model number	Voltage	Current	Bulb			Certificates	Weight	Color
			Spec	Standard	Parts no			
S125S	DC12V	1.001A	200V -550V	EUB0641 -1A(G) U type	48	CE	0.37kg	<ul style="list-style-type: none"> • R-Red • A-Amber • G-Green • B-Blue
	DC24V	0.616A					0.37kg	
	AC110V	0.133A					0.32kg	
	AC220V	0.106A					0.32kg	

Wiring Instructions

- External power line standard : UL1015 AWG18(0.75sq)×2C 400mm
- Product can be wired regardless of polarity

S125SM Magnet Mount Xenon Strobe Signal Light

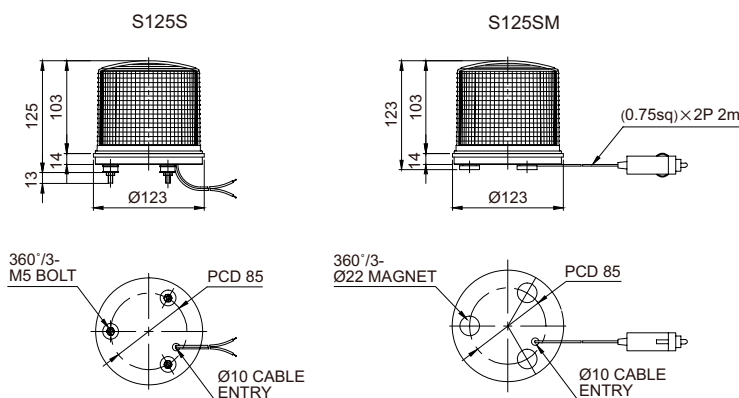
Model number	Voltage	Current	Bulb			Certificates	Weight	Color
			Spec	Standard	Parts no			
S125SM	DC12V	1.001A	220V -350V	EUB0641 -1A(G) U type	48	-	0.40kg	<ul style="list-style-type: none"> • R-Red • A-Amber • G-Green • B-Blue
	DC24V	0.616A					0.40kg	

Wiring Instructions

- Cigarette lighter plug, IEC42(0.75sq)×2P 2m

Technical Diagram

(Units : mm)



Ordering Specification

S125S	-	220	-	R
[Model number]		[Voltage]		[Color]
<ul style="list-style-type: none"> • S125S • S125SM 		<ul style="list-style-type: none"> • 12-DC12V • 24-DC24V • 110-AC110V • 220-AC220V 		<ul style="list-style-type: none"> • R-Red • A-Amber • G-Green • B-Blue